



Earthed Metal Back Plate

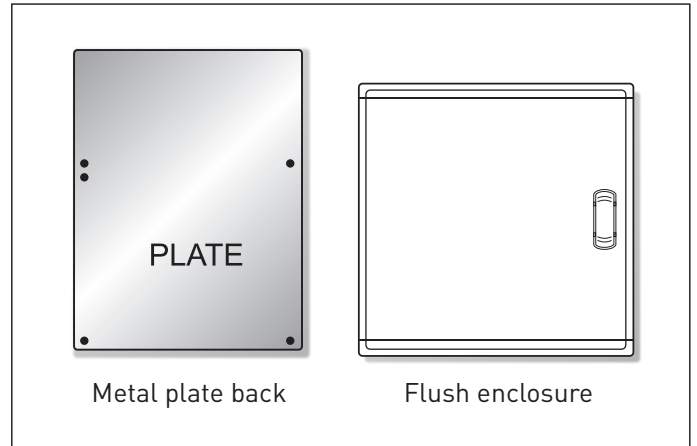
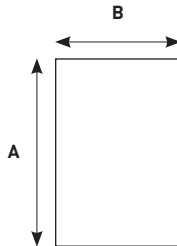
to suit HL/HEE Flush Load Centres

Cat. HL12FS-BP, HEE18FS-BP, HL24FS-BP, HL36FS-BP, HL48FS-BP

Instruction Manual

1 Range

Part No	A (mm)	B (mm)	Thickness (mm)	to suit enclosure
HL12FS-BP	425	265	0.9	HL12F
HEE18FS-BP	367	384	0.9	HEE18F
HL24FS-BP	550	265	0.9	HL24F
HL36FS-BP	675	265	0.9	HL36F
HL48FS-BP	800	265	0.9	HL48F



Metal plate back

Flush enclosure

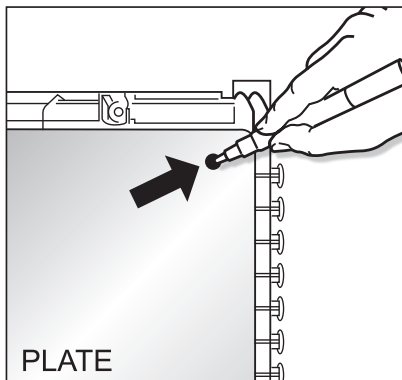
2 Standards

Reference : AS3000:2007 wiring rules requirement (Clause : 3.9.4.4 (b)).

3 Installation

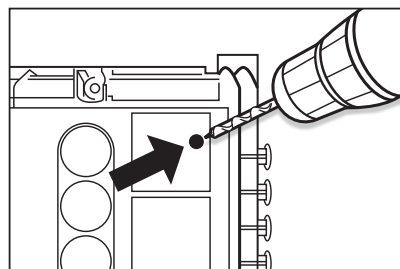
Step 1:

Position the plate so that overhang is on the side of the incoming cable. Mark drilling holes to fix the plate on back of the enclosure with the help of pre-drilled holes on back plate (5 holes to mark : 4 corners + earth).



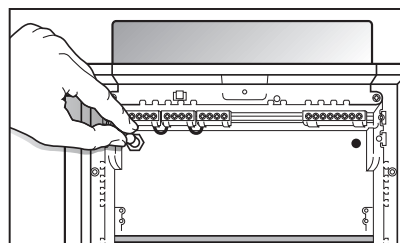
Step 2:

Drill with 4mm bit on back of the enclosure.



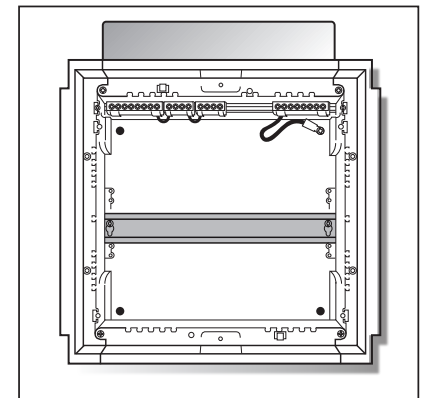
Step 3:

Fix back plate to enclosure using bolts, washers & nuts provided. Make sure the overhang is covering unprotected cables (top or bottom).



Step 4:

Fix 4mm² earth strap to the earth bar and stud (overhang portion on the side of the earth terminal)



Warranty

HPM Legrand will honour all statutory guarantees that you as a consumer are entitled to rely upon under the Australian Consumer Law against a manufacturer including a guarantee that HL12FS-BP, HEE18FS-BP, HL24FS-BP, HL36FS-BP and HL48FS-BP products are of acceptable quality.

To make a claim under any statutory guarantee (or other warranty) you should first contact the supplier, contractor or retailer from whom you purchased the products.

Customer Service

For all Customer Service and Technical Support please call Monday to Friday during business hours.

HPM Legrand Australia
1300 369 777
www.hpmlgrand.com.au

HPM Legrand New Zealand
0800 476 009
www.hpmlgrand.co.nz

ABN: 31 000 102 661

A Group brand |  legrand®